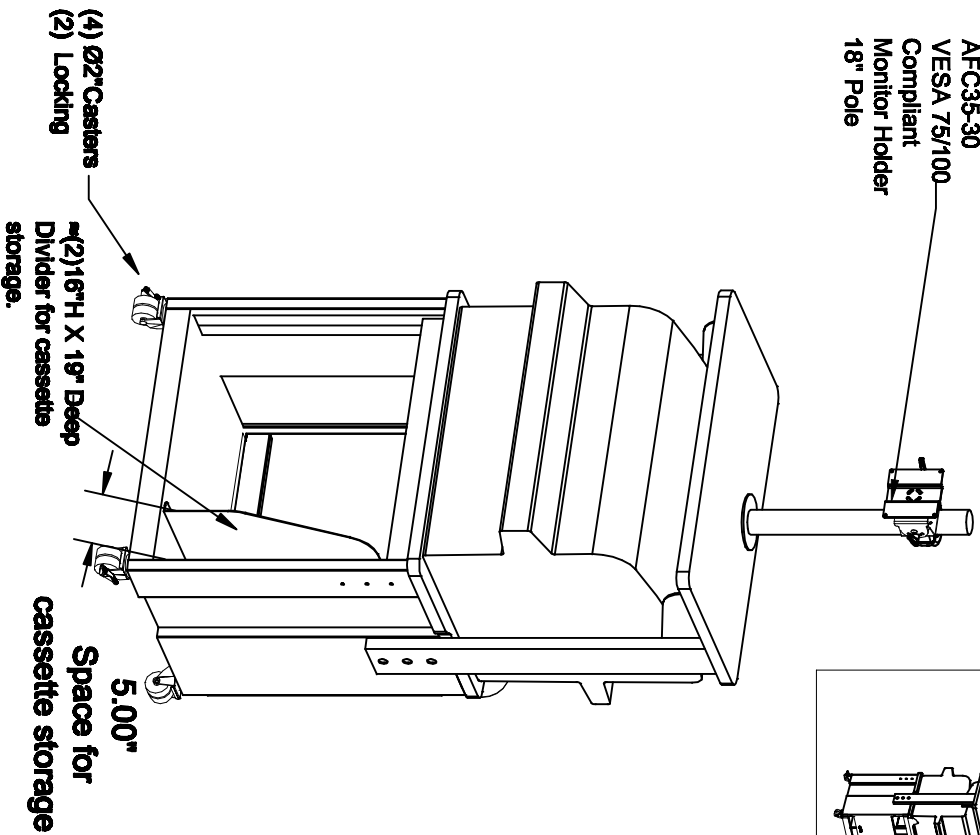
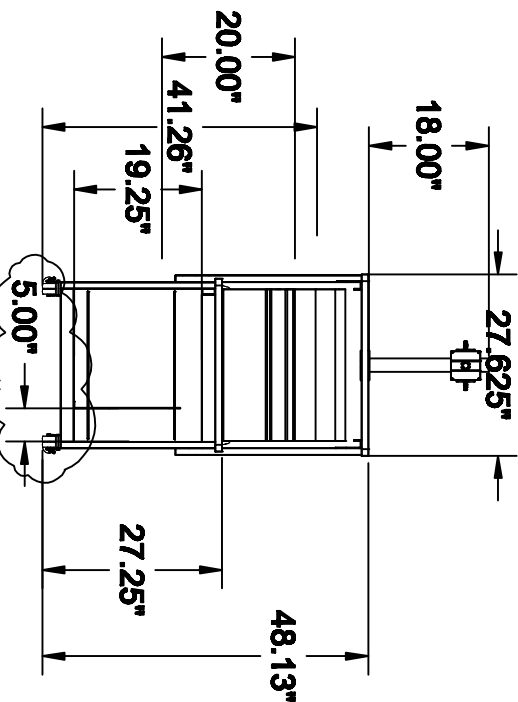
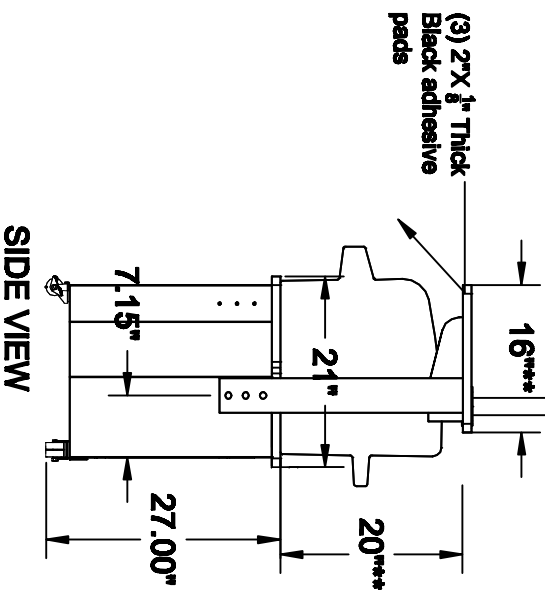
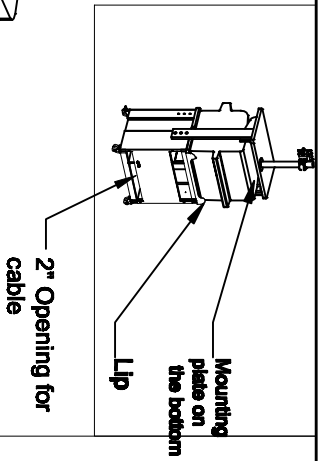


AFC35-30  
VESA 75/100  
Compliant  
Monitor Holder  
18" Pole



**ISOMETRIC VIEW**



**NOTES:**

CR 10 is shown only for representation purposes, NTS.

MATERIAL:

TOLERANCES UNLESS OTHERWISE SPECIFIED

FRACTIONAL ±1/84  
2 P.L.C. DEC. ±.01  
3 P.L.C. DEC. ±.001  
ANGULAR  
FINISH



DRAWN BY: VGM  
**A P P R O V E D**

DATE: 12/5/13

DESCRIPTION:

CR 10X Cart

USED ON:

ENG:  
MFG:  
QA:  
NOT TO SCALE

PATH:  
Customers\AGFA\CR10  
PDE NAME:  
AGCR10\_W\_750-REV 18

REV: SIZE  
.16 A

SHEET: 1 OF 1