

# Pre-Installation Requirement

## 1. Room Requirements

Refer to the room layout to adjust the space of the room depending on the component's size. Note that the room size in this description is the minimum required to install the system

COMPONENT	MINIMUM REQUIREMENTS
Ceiling Height	Minimum 2200mm (88.61" Inch)
X-ray Room Size	2450 x 2400 mm (96.45" x 94.49")

## 2. Floor Requirement


The preferred method of installing the Vet Table is to use the provided typical anchors (Non-Seismic ONLY).

### Floor Requirements When Using Provided Typical Floor Anchors

Anchors must be a minimum of 90 mm (3.54 in) from any concrete edge including ducts and cracks. In addition, the general condition of the concrete in the immediate mounting area should be inspected to ensure that anchors will be set in good quality concrete.

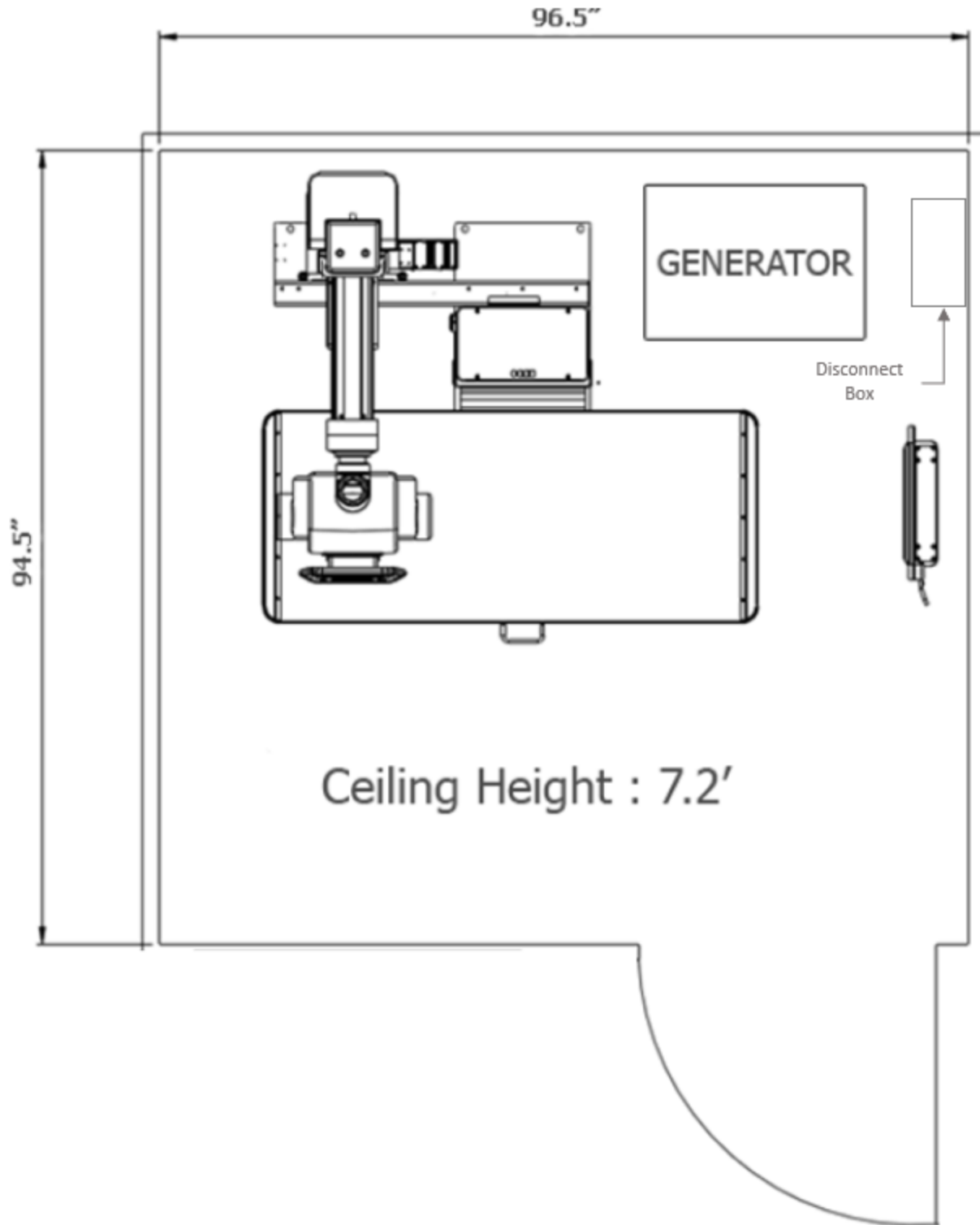
The floor bearing surface is recommended to be concrete and the thickness to be determined by a Structural Engineer to properly support the equipment loads. The supplied anchors require a minimum embedment of 90 mm (3.54 in) into the concrete. If the floor thickness is less than 95mm (3.74 in), it is recommended that the unit is secured using a through-bolt method with a reinforcement plate on the back side.

COMPONENT	NORMAL METHOD OF MOUNTING
Vet Table	Anchor to floor with 5 bolts (1/2 x 3-3/4 Inch or similar)
Wall Bucky Stand	Anchor to floor with 2 bolts (1/2 x 3-3/4 Inch or similar)
Generator	Floor freestanding or strap to the floor.

NOTE	
 NOTE	- Anchoring hardware should be field supplied. For seismic areas, all components must be anchored, Local standards should be applied. - A network connection is required (Ethernet or WiFi).

©Copyright 2021 MyVet Imaging Inc.

Document No:	WUS-QM-PR-091318-00.R01	Page No:	1/3
Document Name:	Pre-Installation Requirement		



©Copyright 2021 MyVet Imaging Inc.

Document No:	WUS-QM-PP-081018-00.R01	Page No:	2/3
Document Name:	Pre-Installation Requirement		

### 3. Electrical Requirements

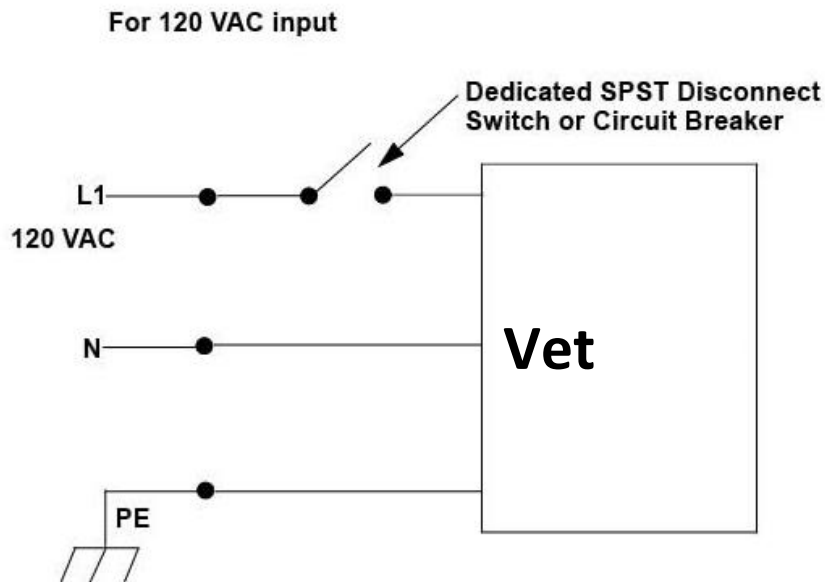
This generator contains advanced circuitry, which will maintain the selected X-ray techniques during adverse line conditions. However, there is a limit to the generator's ability to correct for inadequate line power.

To ensure proper operation:

- Do not undersize the Distribution Transformer.
- Size feeder and ground wires per this document.
- Ensure and maintain input mains voltage to specification. Ensure that the ground resistance is lower than 10 ohms.

The power requirements are given here (wire sizes, etc.) are the recommended specification. With the exception of high current carrying conductors and grounds, low voltage connections are made with pre-terminated wires.

- **Vet Table Input Power**



- **Generator Input Power**

<i>Output Power</i>	32 kW
<i>Input Voltage</i>	208 / 230 VAC single phase
<i>Input Frequency</i>	50 / 60 Hz
<i>Stand By Current</i>	0.6 A
<i>Momentary Power Consumption</i>	40 kVA

**\*100A fused disconnect required**

©Copyright 2021 MyVet Imaging Inc.

Document No:	WUS-QM-PP-081018-00.R01	Page No:	3/3
Document Name:	Pre-Installation Requirement		